



### History-Based Value Report

**\$13,690**

CARFAX Retail Value

#### History events affecting this vehicle's value

- 1-Owner Vehicle
- Minor Damage



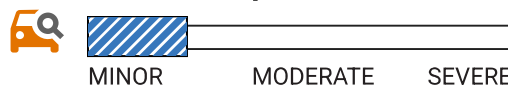
### Vehicle History Report™

US \$44.99

**2013 FORD E-SERIES  
E-350 SD XLT**

VIN: 1FBSS3BL3DDB03573  
VAN  
5.4L V8 F SOHC 16V  
GASOLINE  
REAR WHEEL DRIVE  
Original Window Sticker

**Accident reported: minor damage**



**3** Service history records

CARFAX 1-Owner vehicle

Last owned in Michigan

**109,216** Last reported odometer reading



This CARFAX Vehicle History Report is based only on information supplied to CARFAX and available as of 2/28/25 at 1:21:40 PM (CST). Other information about this vehicle, including problems, may not have been reported to CARFAX. Use this report as one important tool, along with a vehicle inspection and test drive, to make a better decision about your next used car.



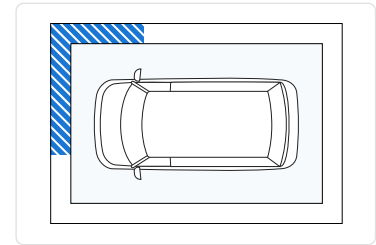
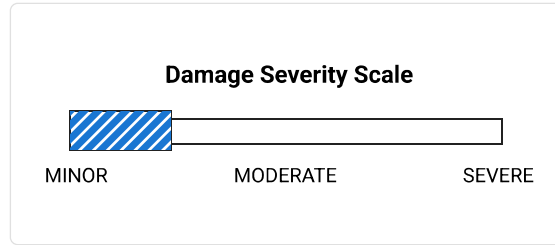
**CARFAX** Accident / Damage History

Not all accidents / issues are reported to CARFAX

Event 1

04/12/2018

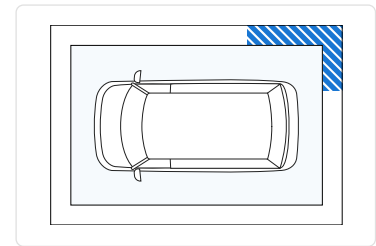
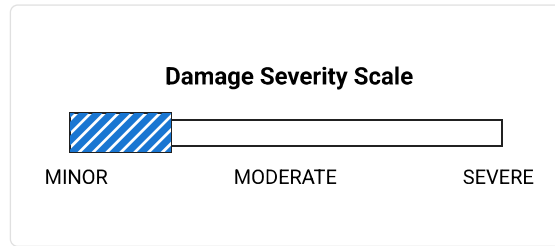
**Accident reported:  
minor damage with  
another motor vehicle**  
Disabling damage  
reported



Event 2

09/10/2019

**Accident reported:  
minor damage with  
another motor vehicle**



**CARFAX** Additional History

Not all accidents / issues are reported to CARFAX

Owner 1

**Total Loss**

No total loss reported to CARFAX.



No Issues Reported

**Structural Damage**

CARFAX recommends that you have this vehicle inspected by a collision repair specialist.



No Issues Reported

**Airbag Deployment**

No airbag deployment reported to CARFAX.



No Issues Reported

**Odometer Check**

No indication of an odometer rollback.



No Issues Indicated

**Accident / Damage**

Accidents reported: 04/12/2018 and 09/10/2019.

Accident Reported


**Manufacturer Recall**

No open recalls reported to CARFAX. A current list of recalls is available at Ford Motor Company.




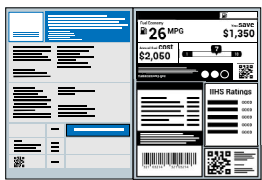
No Recalls Reported

<p><b>Basic Warranty</b> Original warranty estimated to have expired.</p>	<p><b>Warranty Expired</b></p>
---	--------------------------------

<p><b>CARFAX Title History</b> CARFAX guarantees the information in this section</p>	<p><b>Owner 1</b></p>
<p><b>Damage Brands</b> Salvage   Junk   Rebuilt   Fire   Flood   Hail   Lemon</p>	<p><input checked="" type="checkbox"/> <b>Guaranteed</b> No Problem</p>
<p><b>Odometer Brands</b> Not Actual Mileage   Exceeds Mechanical Limits</p>	<p><input checked="" type="checkbox"/> <b>Guaranteed</b> No Problem</p>
<p> <b>GUARANTEED</b> - None of these title problems were reported by a U.S. state Department of Motor Vehicles (DMV). If you find that any of these title problems were reported by a DMV and not included in this report, you may qualify. <a href="#">View Terms</a>   <a href="#">View Certificate</a></p>	

<p><b>CARFAX Ownership History</b> The number of owners is estimated</p>	<p><b>Owner 1</b></p>
<p>Year purchased</p>	<p>2013</p>
<p>Type of owner</p>	<p>---</p>
<p>Estimated length of ownership</p>	<p>6 months</p>
<p>Owned in the following states/provinces</p>	<p>Michigan</p>
<p>Estimated miles driven per year</p>	<p>---</p>
<p>Last reported odometer reading</p>	<p>109,216</p>



<p><b>CARFAX Detailed History</b></p>			
<p> <b>Owner 1</b> Purchased: 2013</p>			
Date	Mileage	Source	Comments
<p>05/28/2013</p>		<p>Ford Motor Company</p>	<p><b>Vehicle manufactured and shipped to original dealer</b></p> <p></p> <p>Original Window Sticker</p>

05/30/2013 5	Gorno Ford Woodhaven, MI 734-676-0031 gornoford.com		<b>Vehicle serviced</b> Pre-delivery inspection completed
	★ <b>4.6 / 5.0</b> 521 Verified Reviews ♥ <b>4,939</b> Customer Favorites		
05/31/2013	Gorno Ford Woodhaven, MI 734-676-0031 gornoford.com		<b>Vehicle offered for sale</b>
	★ <b>4.6 / 5.0</b> 521 Verified Reviews ♥ <b>4,939</b> Customer Favorites		
06/07/2013 200	Michigan Motor Vehicle Dept. Kalamazoo, MI Title #110B1580270		<b>Title issued or updated</b> First owner reported
12/18/2013	Gorno Ford Woodhaven, MI 734-676-0031 gornoford.com		<b>Vehicle sold</b>
	★ <b>4.6 / 5.0</b> 521 Verified Reviews ♥ <b>4,939</b> Customer Favorites		
12/19/2013	Gorno Ford Woodhaven, MI 734-676-0031 gornoford.com		<b>Vehicle offered for sale</b>
	★ <b>4.6 / 5.0</b> 521 Verified Reviews ♥ <b>4,939</b> Customer Favorites		
07/19/2017 37,984	Zeigler Chrysler Dodge RAM of Kalamazoo 269-743-3812 hzkalamazoocdr.com/		<b>Vehicle serviced</b>
	★ <b>4.6 / 5.0</b> 146 Verified Reviews ♥ <b>156</b> Customer Favorites		

04/12/2018

Damage Report



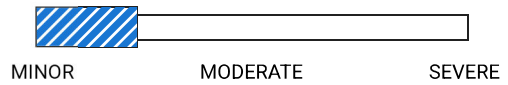
**Accident reported: minor damage with another motor vehicle**

Damage to front  
Damage to right front  
Disabling damage reported

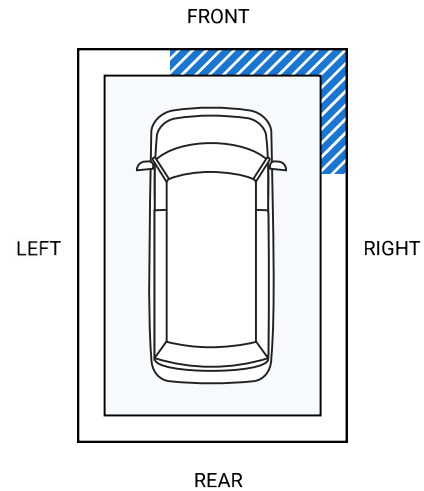


**CARFAX HAS THE MOST ACCIDENT & DAMAGE INFORMATION**

**Damage Severity Scale**



**Damage Location**



09/10/2019

Damage Report

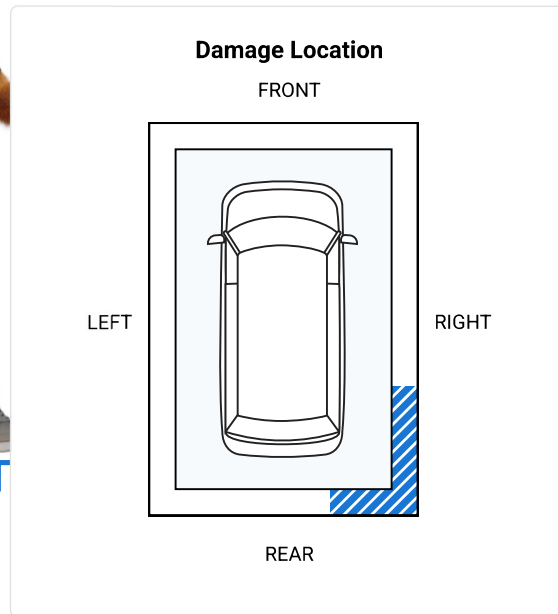
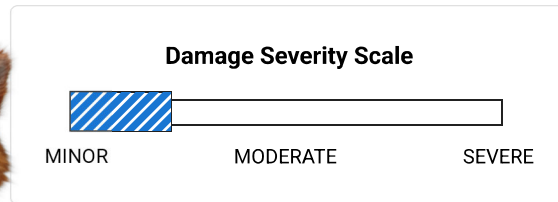


**Accident reported: minor damage with another motor vehicle**

Damage to right rear



**CARFAX HAS THE MOST ACCIDENT & DAMAGE INFORMATION**



11/30/2023 109,216 Dorrance Ford  
 Galesburg, MI  
 269-665-7015  
 dorrancefordgalesburg.com

★ **4.8 / 5.0**  
 352 Verified Reviews  
 ❤️ **2,442** Customer Favorites



**Vehicle serviced**

- Engine checked
- Engine/powertrain computer/module checked
- Transmission checked

Have Questions? Consumers, please visit our Help Center at [www.carfax.com](http://www.carfax.com). Dealers or Subscribers, please visit our Help Center at [www.carfaxonline.com](http://www.carfaxonline.com).



**Glossary**

**Accident Indicator**

CARFAX receives information about accidents in all 50 states, the District of Columbia and Canada.

Not every accident is reported to CARFAX. As details about the accident become available, those additional details are added to the CARFAX Vehicle History Report. CARFAX recommends that you have this vehicle inspected by a qualified mechanic.

- According to the National Safety Council, Injury Facts, 2021 edition, 5% of the 276 million registered vehicles in the U.S. were involved in an accident in 2019. Over 77% of these were considered minor or moderate.
- This CARFAX Vehicle History Report is based only on information supplied to CARFAX and available as of 2/28/25 at 1:21:40 PM (CST). Other information about this vehicle, including problems, may not have been reported to CARFAX. Use this report as one important tool, along with a vehicle

inspection and test drive, to make a better decision about your next used car.

### Damage Severity

Damage events result in one of the following severity levels:

- **Minor:** Generally, minor damage is cosmetic (including dents or scratches), may only require reconditioning, and typically does not compromise a vehicle's operation and/or safety.
- **Moderate:** Moderate damage may affect multiple components of the vehicle and may impair the vehicle's operation and/or safety.
- **Severe:** Severe damage usually affects multiple components of the vehicle and is likely to compromise the vehicle's operation and/or safety.

CARFAX recommends getting a pre-purchase inspection at a certified collision repair facility.

### First Owner

When the first owner(s) obtains a title from a Department of Motor Vehicles as proof of ownership.

### Ford or Lincoln Mercury Recall

The Ford Motor Company provides CARFAX with Field Service Action and recall information regarding safety, compliance and emissions programs announced since 2000 for a specific vehicle. For complete information regarding programs or concerns about this vehicle, please contact a local Ford or Lincoln Mercury Dealer.

### Ownership History

CARFAX defines an owner as an individual or business that possesses and uses a vehicle. Not all title transactions represent changes in ownership. To provide estimated number of owners, CARFAX proprietary technology analyzes all the events in a vehicle history. Estimated ownership is available for vehicles manufactured after 1991 and titled solely in the US including Puerto Rico. Dealers sometimes opt to take ownership of a vehicle and are required to in the following states: Maine, Massachusetts, New Jersey, Ohio, Oklahoma, Pennsylvania and South Dakota. Please consider this as you review a vehicle's estimated ownership history.

### Title Issued

A state issues a title to provide a vehicle owner with proof of ownership. Each title has a unique number. Each title or registration record on a CARFAX report does not necessarily indicate a change in ownership. In Canada, a registration and bill of sale are used as proof of ownership.

Follow Us:



[facebook.com/CARFAX](https://www.facebook.com/CARFAX)



[@CARFAXinc](https://twitter.com/CARFAXinc)



About CARFAX

CARFAX DEPENDS ON ITS SOURCES FOR THE ACCURACY AND RELIABILITY OF ITS INFORMATION. THEREFORE, NO RESPONSIBILITY IS ASSUMED BY CARFAX OR ITS AGENTS FOR ERRORS OR OMISSIONS IN THIS REPORT. CARFAX FURTHER EXPRESSLY DISCLAIMS ALL WARRANTIES, EXPRESS OR IMPLIED, INCLUDING ANY IMPLIED WARRANTIES OF MERCHANTABILITY OR FITNESS FOR A PARTICULAR PURPOSE.

© 2025 CARFAX, Inc., part of S&P Global. All rights reserved.  
2/28/25 1:21:40 PM (CST)

**I have reviewed and received a copy of the CARFAX Vehicle History Report for this 2013 FORD E-SERIES vehicle (VIN: 1FBSS3BL3DDB03573), which is based on information supplied to CARFAX and available as of 2/28/25 at 2:21 PM (EST).**

\_\_\_\_\_  
Customer Signature

\_\_\_\_\_  
Date

\_\_\_\_\_  
Dealer Signature

\_\_\_\_\_  
Date