



# Report

US \$44.99

## 2012 GMC Savana 3500

42,296 mi | VIN: 1GTZ7TCG3C1153984 |

Van | 6.0L V8 F OHV 16V | Flex Fuel | Rear wheel drive

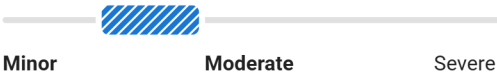
CARFAX HAS THE MOST ACCIDENT & DAMAGE INFORMATION



### ACCIDENT



Minor to Moderate Damage



CARFAX VALUE \$8,580



2 Service History Records



CARFAX 1-Owner Vehicle



Commercial Vehicle



Last Owned in Michigan



22 Detailed Records Available

This CARFAX Vehicle History Report is based only on information supplied to CARFAX and available as of 5/27/26 at 3:59:41 PM (CDT). Other information about this vehicle, including problems, may not have been reported to CARFAX. Use this report as one important tool, along with a vehicle inspection and test drive, to make a better decision about your next used car.



## Accident / Damage History

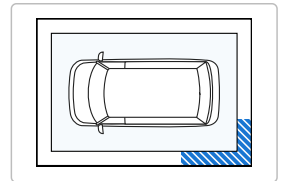
Not all accidents / issues are reported to CARFAX

### Event 1

05/18/2015

Accident reported: minor to moderate damage with another motor vehicle

#### Damage Severity Scale



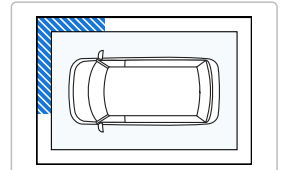
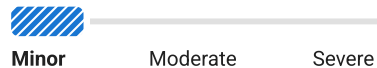
### Event 2

05/26/2015

Accident reported: minor damage with another motor vehicle

- Airbags did not deploy

#### Damage Severity Scale





## History-Based Value Report

# \$8,580

CARFAX Retail Value

### History events affecting this vehicle's value

- 1-Owner Vehicle
- Accident Reported



### Additional History

Not all accidents / issues are reported to CARFAX

Owner 1

#### Total Loss

No total loss reported to CARFAX.

No Issues Reported

#### Structural Damage

CARFAX recommends that you have this vehicle inspected by a collision repair specialist.

No Issues Reported

#### Airbag Deployment

No airbag deployment reported to CARFAX.

No Issues Reported

#### Odometer Check

No indication of an odometer rollback.

No Issues Indicated

#### Accident / Damage

Accidents reported: 05/18/2015 and 05/26/2015.

Accident Reported

#### Manufacturer Recall

No open recalls reported to CARFAX. Check for open recalls on GM vehicles at recalls.gm.com.

No Recalls Reported

#### Basic Warranty

Original warranty estimated to have expired.

Warranty Expired



### Title History

CARFAX guarantees the information in this section

Owner 1

#### Damage Brands

Salvage | Junk | Rebuilt | Fire | Flood | Hail | Lemon

**Guaranteed**  
No Problem

#### Odometer Brands

Not Actual Mileage | Exceeds Mechanical Limits

**Guaranteed**  
No Problem



**GUARANTEED** - None of these title problems were reported by a U.S. state Department of Motor Vehicles (DMV). If you find that any of these title problems were reported by a DMV and not included in this report, you may qualify. [View Terms](#) | [View Certificate](#)



### Ownership History

The number of owners is estimated

Owner 1

Year purchased

2012

Type of owner

Commercial

Estimated length of ownership

13 yrs. 5 mo.

Owned in the following states/provinces

Michigan

Estimated miles driven per year

13,127/yr

Last reported odometer reading

42,296



### Detailed History


Owner 1

Commercial Vehicle

Purchased: 2012

**Low mileage!** This owner drove less than the industry average of 15,000

13,127 mi/yr

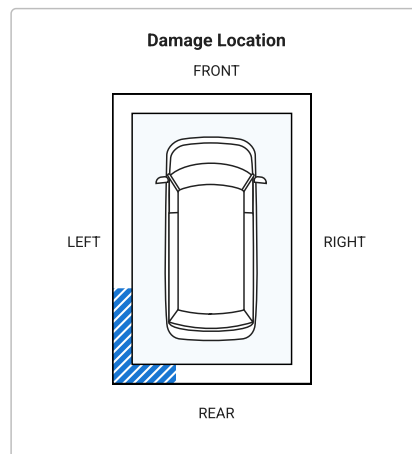
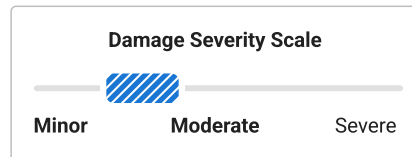
Date	Mileage	Source	Comments
03/13/2012		Ed Schmidt Auto Group Perrysburg, OH 419-874-4331 edschmidt.com ★ 4.7 / 5.0 346 Verified Reviews ♥ 66 Customer Favorites	<b>Vehicle offered for sale</b>
03/13/2012	4	Ed Schmidt Auto Group Perrysburg, OH 419-874-4331 edschmidt.com ★ 4.7 / 5.0 346 Verified Reviews ♥ 66 Customer Favorites	 <b>Vehicle serviced</b> - Pre-delivery inspection completed
12/08/2012		Seelye Wright of South Haven South Haven, MI 269-637-5246 seelyewright.com ★ 5.0 / 5.0 6 Verified Reviews	<b>Vehicle offered for sale</b>
12/09/2012		Seelye Kia of Holland Holland, MI 616-582-1000 seelyeautogroup.com ★ 4.0 / 5.0 8 Verified Reviews	<b>Vehicle offered for sale</b>
12/20/2012	171	Michigan Motor Vehicle Dept. Kalamazoo, MI Title #202A3550149	<b>Title or registration issued</b> - First owner reported
02/25/2014		Michigan Motor Vehicle Dept. Kalamazoo, MI	<b>Registration issued or renewed</b>
02/05/2015		Michigan Motor Vehicle Dept. Kalamazoo, MI	<b>Registration issued or renewed</b>

05/18/2015

Damage Report



**Accident reported: minor to moderate damage with another motor vehicle**  
- Damage to left rear



**CARFAX HAS THE MOST ACCIDENT & DAMAGE INFORMATION**

05/26/2015

Damage Report

**Accident reported: minor damage with another motor vehicle**

- Damage to right front
- Damage to front
- Airbags did not deploy

**Damage Severity Scale**



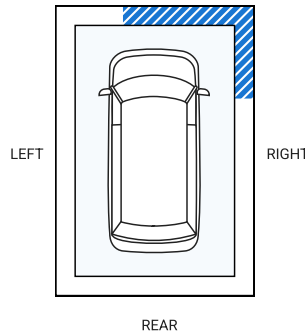
Minor

Moderate

Severe

**Damage Location**

FRONT



**CARFAX HAS THE MOST ACCIDENT & DAMAGE INFORMATION**

02/01/2016

Michigan  
Motor Vehicle Dept.  
Kalamazoo, MI

**Registration issued or renewed**

- Titled or registered as commercial vehicle

03/10/2016

42,296

Uncle Ed's Oil Shoppe  
Kalamazoo, MI  
269-342-4022  
uncleedsoil.com



**Vehicle serviced**

- Oil and filter changed

★ 4.5 / 5.0 64 Verified Reviews

♥ 1,607 Customer Favorites

01/30/2017

Michigan  
Motor Vehicle Dept.  
Kalamazoo, MI

**Registration issued or renewed**

- Titled or registered as commercial vehicle

01/30/2018

Michigan  
Motor Vehicle Dept.  
Kalamazoo, MI

**Registration issued or renewed**

- Titled or registered as commercial vehicle

02/05/2019

Michigan  
Motor Vehicle Dept.  
Kalamazoo, MI

**Registration issued or renewed**

- Titled or registered as commercial vehicle

04/17/2019

Michigan  
Motor Vehicle Dept.  
Kalamazoo, MI

**Registration issued or renewed**

- Titled or registered as commercial vehicle

01/14/2020

Michigan  
Motor Vehicle Dept.  
Kalamazoo, MI

**Registration issued or renewed**

- Titled or registered as commercial vehicle

01/25/2021

Michigan  
Motor Vehicle Dept.  
Kalamazoo, MI

**Registration issued or renewed**

- Titled or registered as commercial vehicle

02/08/2022

Michigan  
Motor Vehicle Dept.  
Kalamazoo, MI

**Registration issued or renewed**

- Titled or registered as commercial vehicle

02/02/2023

Michigan  
Motor Vehicle Dept.  
Kalamazoo, MI

**Registration issued or renewed**

- Titled or registered as commercial vehicle

11/27/2023	Michigan Motor Vehicle Dept. Kalamazoo, MI	<b>Registration issued or renewed</b> - Titled or registered as commercial vehicle
12/28/2024	Michigan Motor Vehicle Dept. Kalamazoo, MI	<b>Registration issued or renewed</b> - Titled or registered as commercial vehicle
01/21/2026	Michigan Motor Vehicle Dept. Kalamazoo, MI	<b>Registration issued or renewed</b> - Titled or registered as commercial vehicle

Have Questions? Consumers, please visit our Help Center at [www.carfax.com](http://www.carfax.com). Dealers or Subscribers, please visit our Help Center at [www.carfaxonline.com](http://www.carfaxonline.com).

## Glossary

### Accident Indicator

CARFAX receives information about accidents in all 50 states, the District of Columbia and Canada.

Not every accident is reported to CARFAX. As details about the accident become available, those additional details are added to the CARFAX Vehicle History Report. CARFAX recommends that you have this vehicle inspected by a qualified mechanic.

- According to the National Safety Council, Injury Facts, 2021 edition, 5% of the 276 million registered vehicles in the U.S. were involved in an accident in 2019. Over 77% of these were considered minor or moderate.
- This CARFAX Vehicle History Report is based only on information supplied to CARFAX and available as of 5/27/26 at 3:59:41 PM (CDT). Other information about this vehicle, including problems, may not have been reported to CARFAX. Use this report as one important tool, along with a vehicle inspection and test drive, to make a better decision about your next used car.

### Commercial

Vehicle was registered for business purposes.

### Damage Severity

Damage events result in one of the following severity levels:

- Minor: Generally, minor damage is cosmetic (including dents or scratches), may only require reconditioning, and typically does not compromise a vehicle's operation and/or safety.
- Moderate: Moderate damage may affect multiple components of the vehicle and may impair the vehicle's operation and/or safety.
- Severe: Severe damage usually affects multiple components of the vehicle and is likely to compromise the vehicle's operation and/or safety.

CARFAX recommends getting a pre-purchase inspection at a certified collision repair facility.

### First Owner

When the first owner(s) obtains a title from a Department of Motor Vehicles as proof of ownership.

### Ownership History

CARFAX defines an owner as an individual or business that possesses and uses a vehicle. Not all title transactions represent changes in ownership. To provide estimated number of owners, CARFAX proprietary technology analyzes all the events in a vehicle history. Estimated ownership is available for vehicles manufactured after 1991 and titled solely in the US including Puerto Rico. Dealers sometimes opt to take ownership of a vehicle and are required to in the following states: Maine, Massachusetts, New Jersey, Ohio, Oklahoma, Pennsylvania and South Dakota. Please consider this as you review a vehicle's estimated ownership history.

Follow Us:  [facebook.com/CARFAX](https://www.facebook.com/CARFAX)  [@CARFAXinc](https://twitter.com/CARFAXinc)  [About CARFAX](#)

CARFAX DEPENDS ON ITS SOURCES FOR THE ACCURACY AND RELIABILITY OF ITS INFORMATION. THEREFORE, NO RESPONSIBILITY IS ASSUMED BY CARFAX OR ITS AGENTS FOR ERRORS OR OMISSIONS IN THIS REPORT. CARFAX FURTHER EXPRESSLY DISCLAIMS ALL WARRANTIES, EXPRESS OR IMPLIED, INCLUDING ANY IMPLIED WARRANTIES OF MERCHANTABILITY OR FITNESS FOR A PARTICULAR PURPOSE.

© 2026 CARFAX, Inc., part of S&P Global. All rights reserved.  
5/27/26 3:59:41 PM (CDT)

I have reviewed and received a copy of the CARFAX Vehicle History Report for this 2012 GMC SAVANA vehicle (VIN: 1GTZ7TCG3C1153984), which is based on information supplied to CARFAX and available as of 5/27/26 at 4:59 PM (EDT).

Customer Signature

Date

Dealer Signature

Date