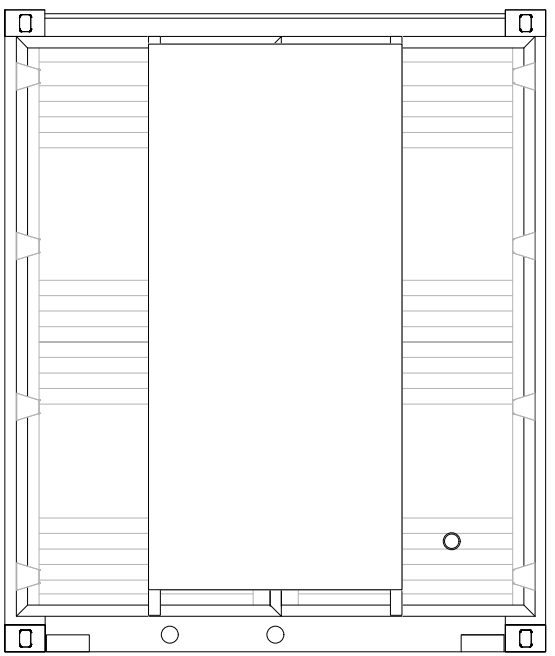


**FALCON**  
STRUCTURES

BRISTLECONE  
VENTURES 2 FIRM  
IHM - 468  
7717 Gilbert Rd.  
Manor, Texas 78653  
512-231-1010  
www.falconstructures.com



# AC-462 GROW BOX

## DRAWING INDEX

- A0 - COVER SHEET
- A0.1 - SCHEDULES
- A1 - DETAILS/ SECTIONS
- A1.1 - DETAILS/ SECTIONS
- AH1 - HOT WORK
- AH2 - HOT WORK
- A2 - CARPENTRY
- A2.1 - CARPENTRY
- A2.2 - CARPENTRY

## APPLICABLE CODES

• NONE

## GENERAL NOTES

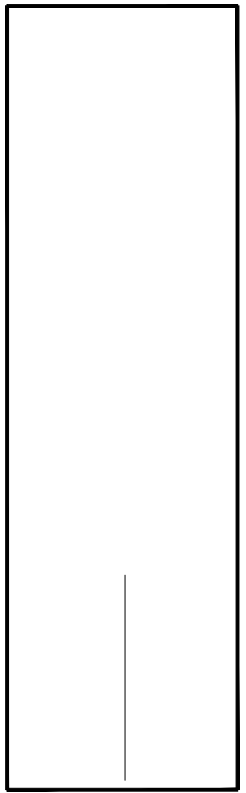
1. DO NOT SCALE THESE DRAWINGS
2. ALL WORK IS TO BE PERFORMED IN A PROFESSIONAL MANNER AND WORK SITE IS TO BE KEEP FREE OF TRASH AND DEBRIS.

ISSUE DATE:  
-

## REVISIONS

NO.	DATE	DESCRIPTION

AC-462	X
TYPE II	
ONE-TRIP	
10	20
40	20HC
40HC	X



**Confidential**  
The design and drawings contained herein are confidential and the sole property of Falcon Structures and may not be copied or used for any purpose without written permission from Falcon Structures.

JOB NO.:	DATE: 05/17/22	DRAWN BY: DK	CHECKED BY:	REVISED BY:
----------	----------------	--------------	-------------	-------------

**COVER SHEET:**  
**A0**

DOOR SCHEDULE										
QTY	MANUFACTURER	TYPE	WIDTH	HEIGHT	SWING	BORE	U - FACTOR	R - FACTOR	STC RATING	HARDWARE
1	COMMERCIAL	INSULATED METAL	3'-0"	7'-6"	LHR	SINGLE				PANIC BAR, YALE 2700 SERIES CLOSER (WITH HOLD OPEN), AND KEYED LEVER. ALL KEYED ALIKE
1	CARGO DOORS									INOPERABLE

WINDOW SCHEDULE									
QTY	MANUFACTURER	MODEL	TYPE	WIDTH	HEIGHT	GLAZING	U - FACTOR	SHGC	NOTES

FINISH SCHEDULE
<u>ROOF</u> SIGNAL WHITE - RAL #9003
<u>EXTERIOR WALLS</u> SIGNAL WHITE - RAL #9003
<u>INTERIOR WALLS</u> IN-SO-FAST 2.0 FLAT PANEL (UX) + IN-SO-FAST SIDE WALL INSERTS, 1" POLYISO BOARD, AND DURAMAX PVC WALL PANELS
<u>CEILING</u> 2X2X1/4" FIBERGLASS ANGLE, 3X1X1/8" HSS TUBING, SPRAY FOAM INSULATION W/ DC-15 HEAT BARRIER PAINT - MIN 3-1/8" AT LOW HUMPS; MAX 3-7/8" AT HIGH HUMPS. 2X4 TREATED LUMBER, AND DURAMAX PVC WALL PANELS
<u>TRIM</u> PVC "J" TRIM AT ALL EDGES
<u>FLOOR</u> IN-SO-FAST 2.5 EXE, 1/2" CEMENT BOARD

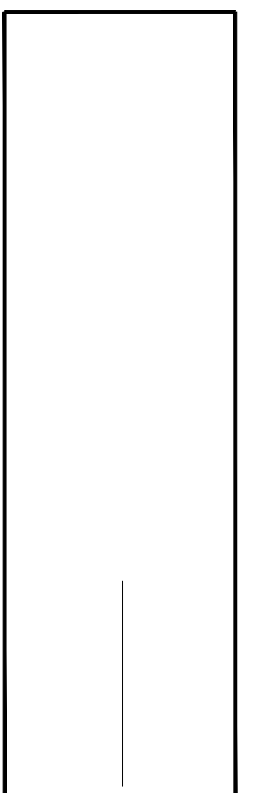
FIXTURES		
QTY	ITEM	NOTES

MECHANICAL SCHEDULE			
QTY	MODEL	POWER/BREAKER	NOTES
1	5T BARD UNIT W5SAC. CUSTOMER SUPPLIED		

ELECTRICAL SCHEDULE		
QTY	ITEM	NOTES

PLUMBING SCHEDULE		
QTY	ITEM	NOTES
1	TRENCH DRAIN MODEL# OATEY DLS2240R2, TO BE CONFIRMED W/ FLOORING INSTALLER	
1	CUSTOMER SUPPLIED NUTRIENT TANK	

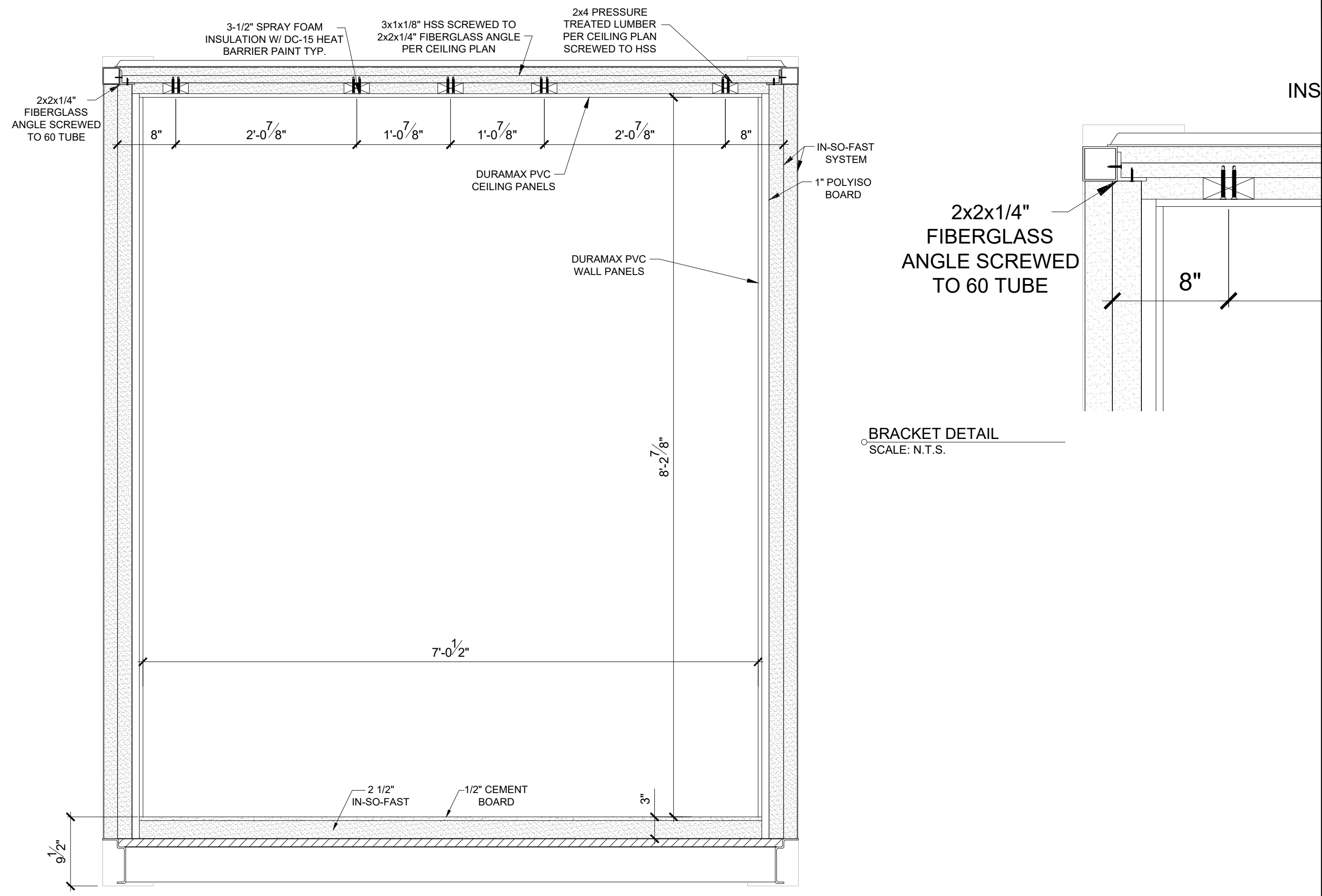
AC-462	X
TYPE II	
ONE-TRIP	
10	20
40	20HC
40HC	X



**Confidential**  
The design and drawings contained herein are confidential and the sole property of Falcon Structures and may not be copied or used for any purpose without written permission from Falcon Structures.

JOB NO.:	DATE: 05/17/22	DRAWN BY: DK	CHECKED BY:	REVISED BY:
----------	----------------	--------------	-------------	-------------

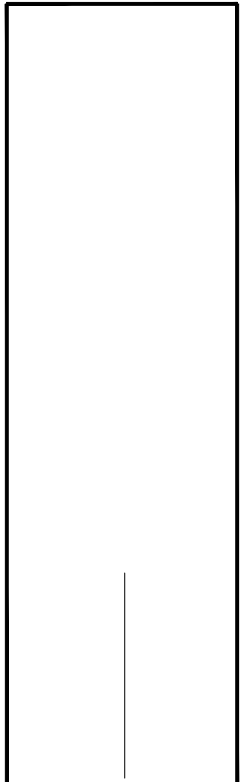
**SCHEDULES:**  
**A0.1**



BRACKET DETAIL  
SCALE: N.T.S.

SECTION "A"  
SCALE: N.T.S.

AC-462	X
TYPE II	
ONE-TRIP	
10	20
40	20HC
40HC	X

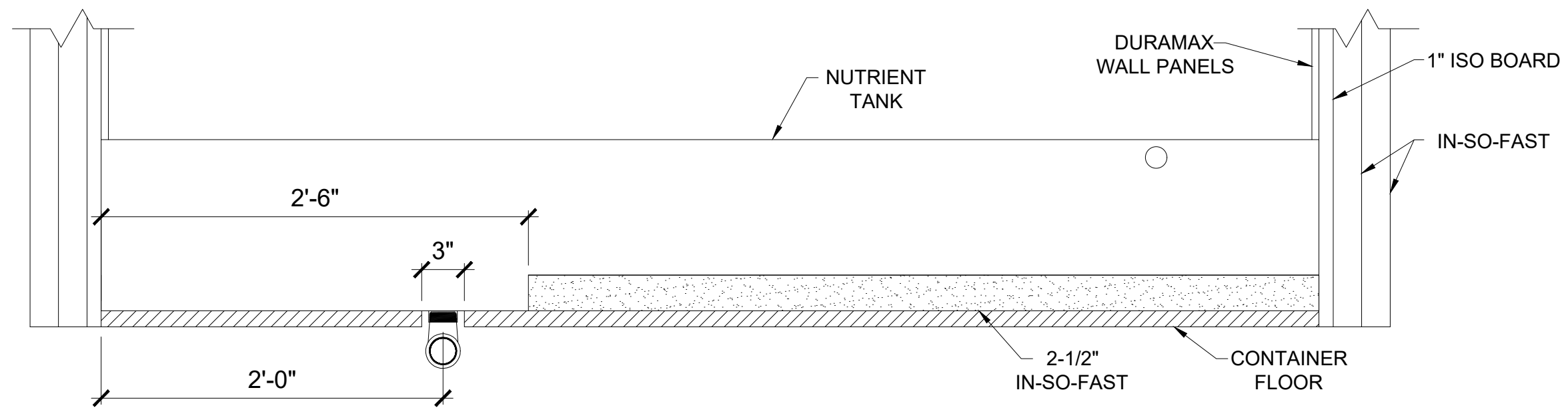


**Confidential**  
The design and drawings contained herein are confidential and the sole property of Falcon Structures and may not be copied or used for any purpose without written permission from Falcon Structures.

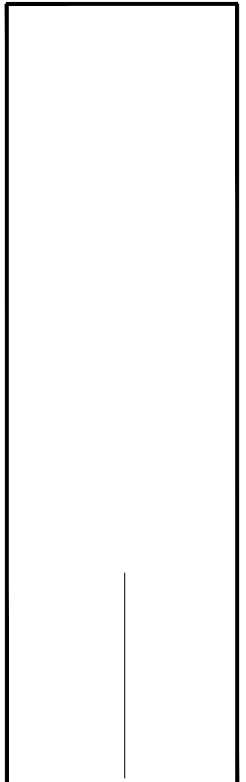
JOB NO.:	DATE: 05/17/22	DRAWN BY: DK	CHECKED BY:	REVISED BY:
----------	----------------	--------------	-------------	-------------

SECTION:  
**A1**

AC-462	X
TYPE II	
ONE-TRIP	
10	20
40	20HC
40HC	X



**NUTRIENT TANK**  
SCALE: N.T.S.

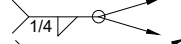
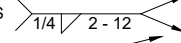
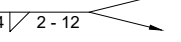


**Confidential**  
The design and drawings contained herein are confidential and the sole property of Falcon Structures and may not be copied or used for any purpose without written permission from Falcon Structures.

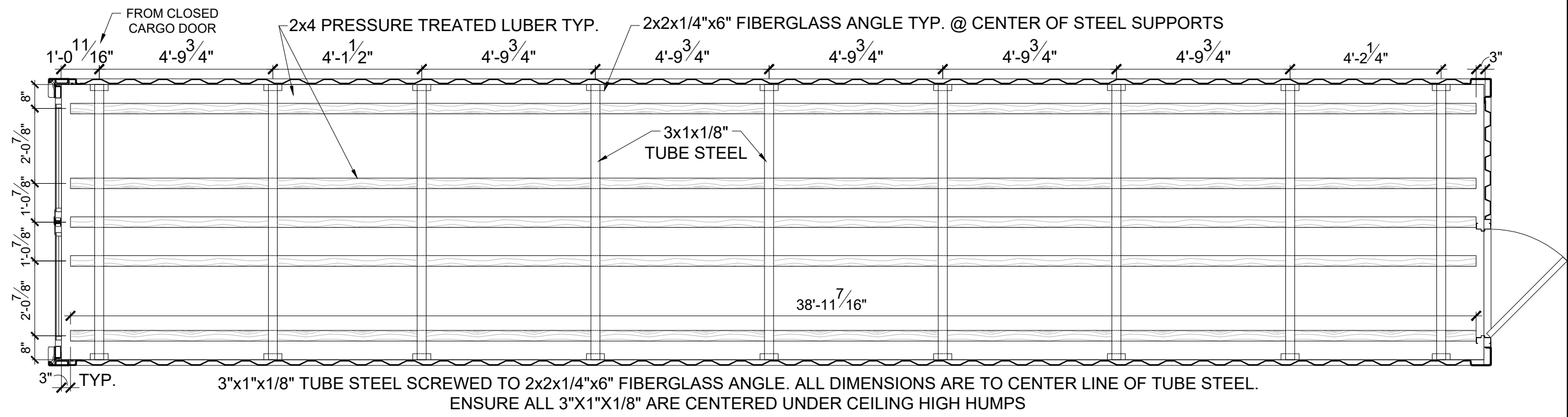
JOB NO.:	DATE: 05/17/22	DRAWN BY: DK	CHECKED BY:	REVISED BY:
----------	----------------	--------------	-------------	-------------

**SECTION:**  
**A1.1**

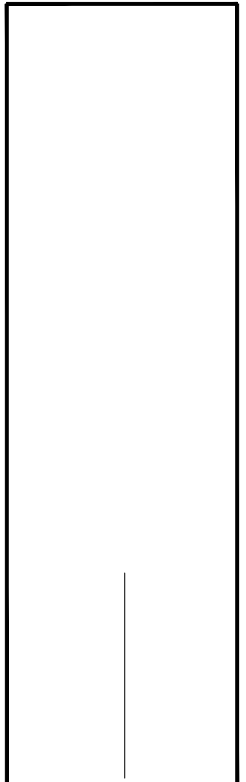
**HOTWORK NOTES:**

- U.N.O. ALL TOP HORIZ. WELDS 
- U.N.O. ALL BOT. HORIZ. WELDS 
- U.N.O. ALL VERT. WELDS 
- GRIND ALL SURFACES TO BARE METAL PRIOR TO WELDING
- GRIND SMOOTH AND PRIME ALL BARE METAL AFTER WELD
- FACE OF FRAME TO PROTRUDE 1/8" FROM OUTSIDE HUMP
- FULLY WELD BOTTOM OF FRAME AND UP 2' OF ALL DOORS

AC-462	X
TYPE II	
ONE-TRIP	
10	20
40	20HC
40HC	X



CEILING  
SCALE: N.T.S.



**Confidential**  
The design and drawings contained herein are confidential and the sole property of Falcon Structures and may not be copied or used for any purpose without written permission from Falcon Structures.

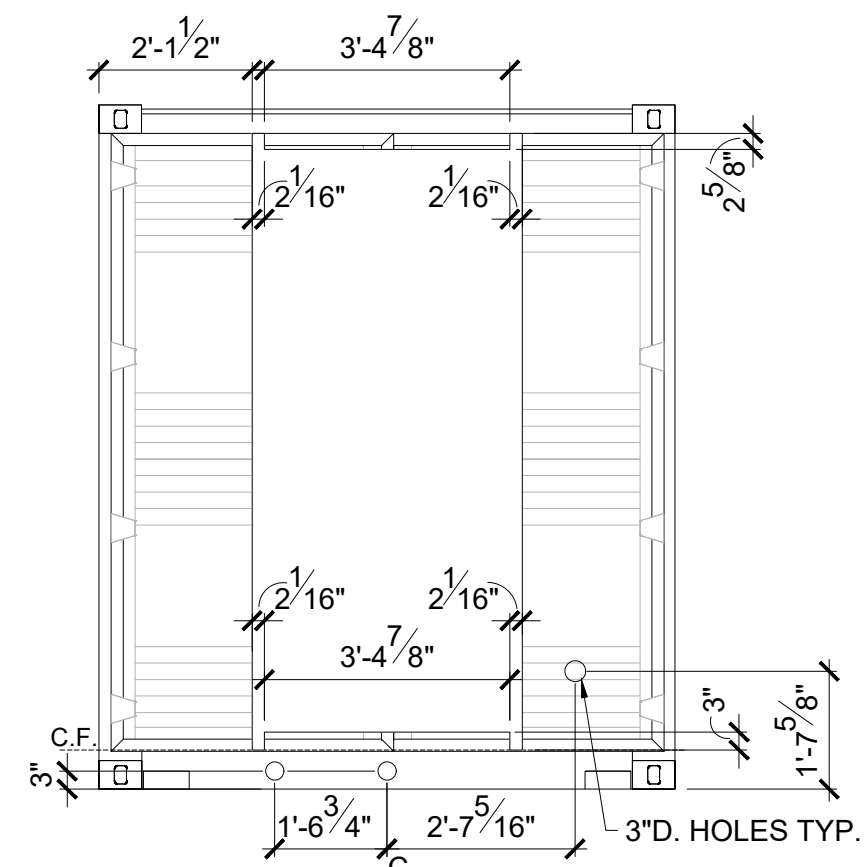
JOB NO.:	DATE: 05/17/22	DRAWN BY: DK	CHECKED BY:	REVISED BY:
----------	----------------	--------------	-------------	-------------

**HOT WORK:**  
**AH1**

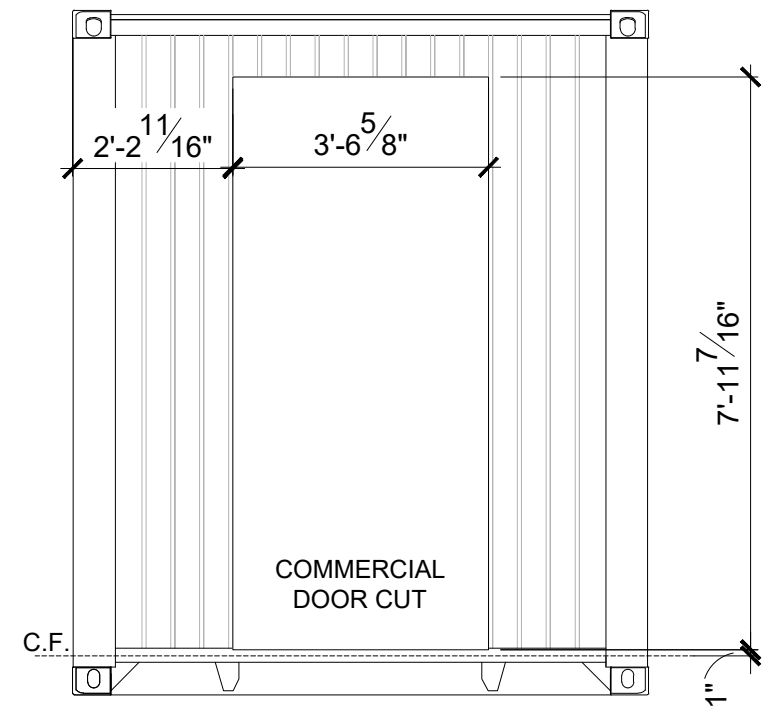
**HOTWORK NOTES:**

- U.N.O. ALL TOP HORIZ. WELDS
- U.N.O. ALL BOT. HORIZ. WELDS 2 - 12
- U.N.O. ALL VERT. WELDS 2 - 12
- GRIND ALL SURFACES TO BARE METAL PRIOR TO WELDING
- GRIND SMOOTH AND PRIME ALL BARE METAL AFTER WELD
- FACE OF FRAME TO PROTRUDE 1/8" FROM OUTSIDE HUMP
- FULLY WELD BOTTOM OF FRAME AND UP 2" OF ALL DOORS

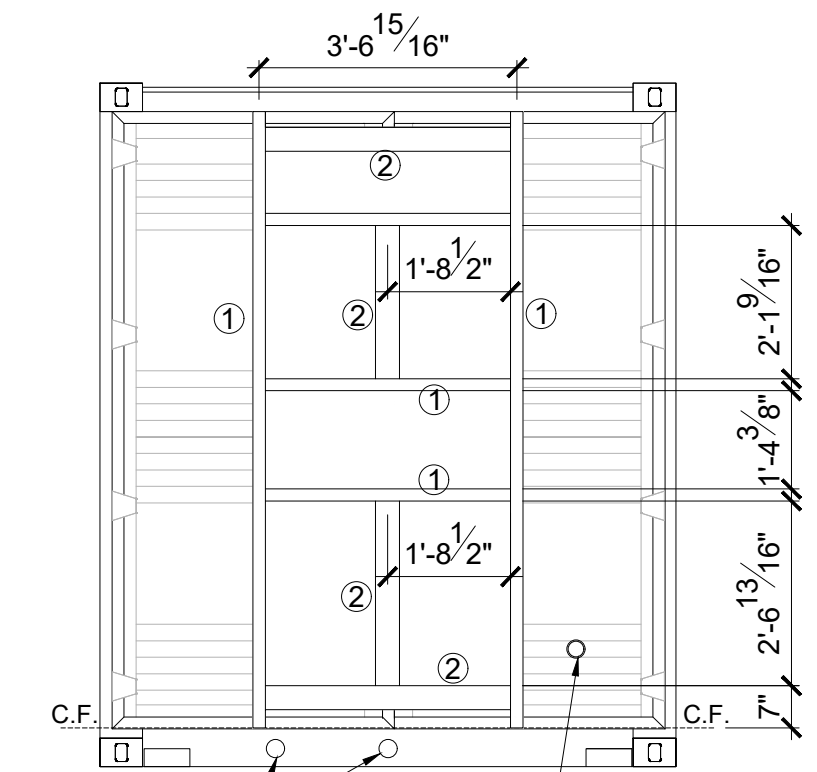
AC-462	X
TYPE II	
ONE-TRIP	
10	20
40	20HC
40HC	X



"A" CARGO DOOR CUTS  
SCALE: 3/8" = 1'-0"

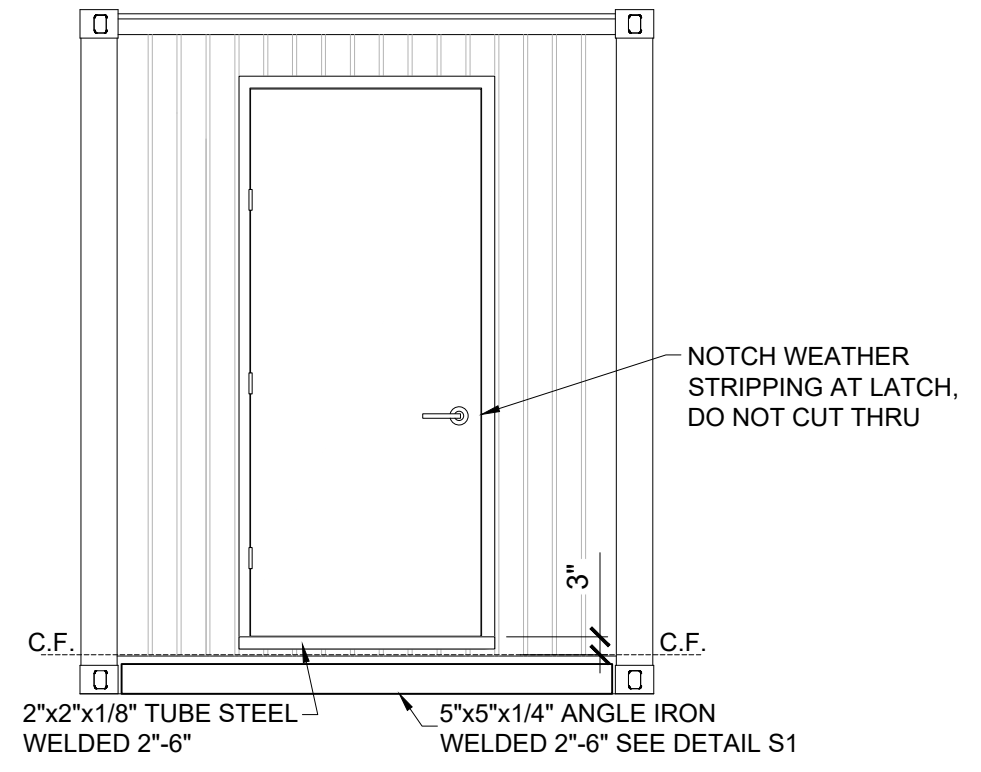


"B" CUTS  
SCALE: 3/8" = 1'-0"

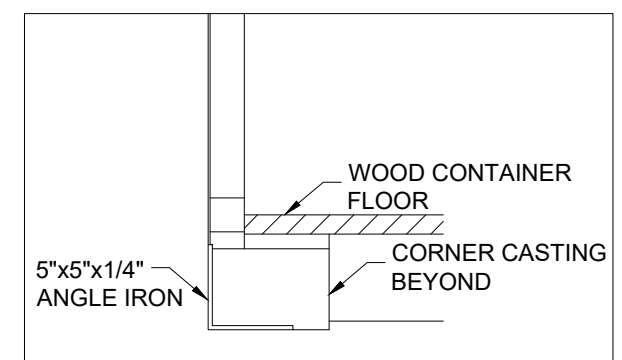


- ① 2"x2"x1/8" TUBE STEEL
- ② 4"x2"x1/8" TUBE STEEL

"A" CARGO DOOR HOT WORK  
SCALE: 3/8" = 1'-0"



"B" HOT WORK  
SCALE: 3/8" = 1'-0"

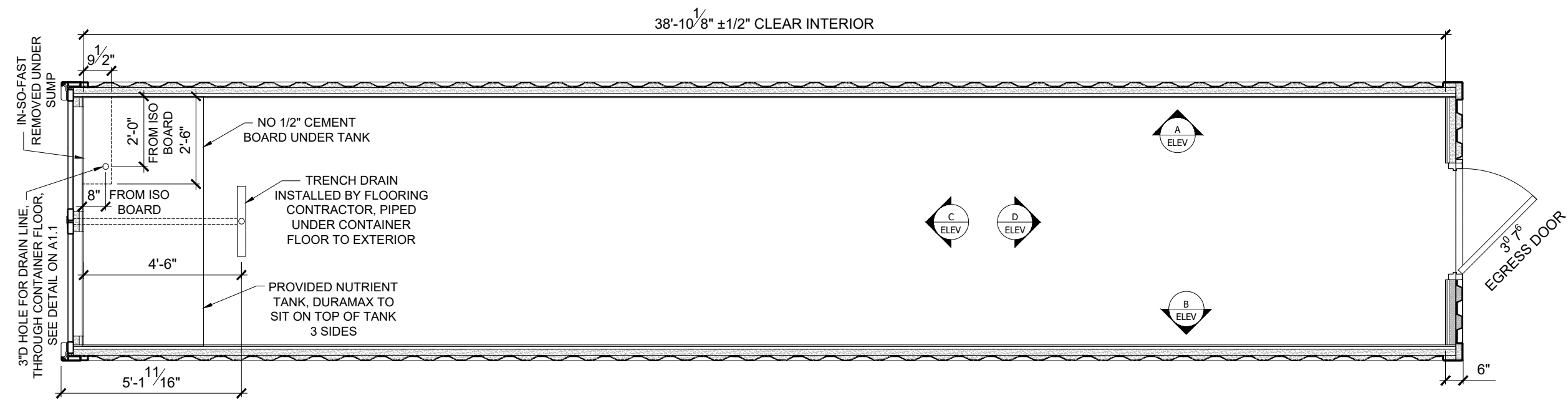


DETAIL S1  
SCALE: N.T.S.

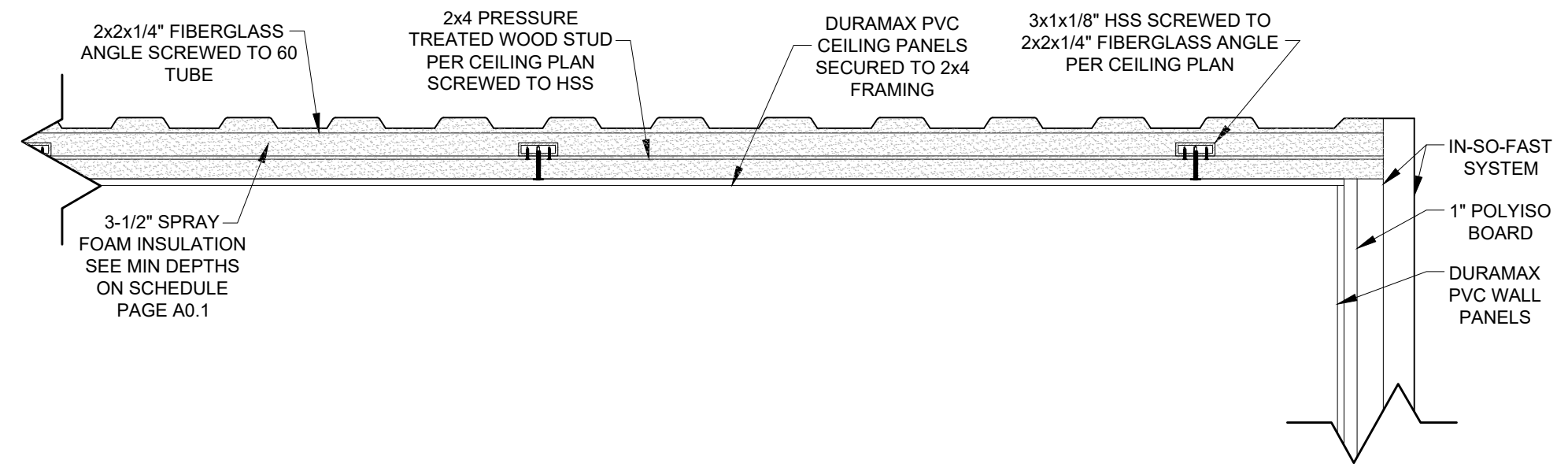
**Confidential**  
The design and drawings contained herein are confidential and the sole property of Falcon Structures and may not be copied or used for any purpose without written permission from Falcon Structures.

JOB NO.:	DATE: 05/17/22	DRAWN BY: DK	CHECKED BY:	REVISED BY:
----------	----------------	--------------	-------------	-------------

**HOT WORK:**  
**AH2**



**FLOOR PLAN**  
SCALE: 1/4" = 1'-0"



**CEILING FRAMING DETAIL**  
SCALE: N.T.S.

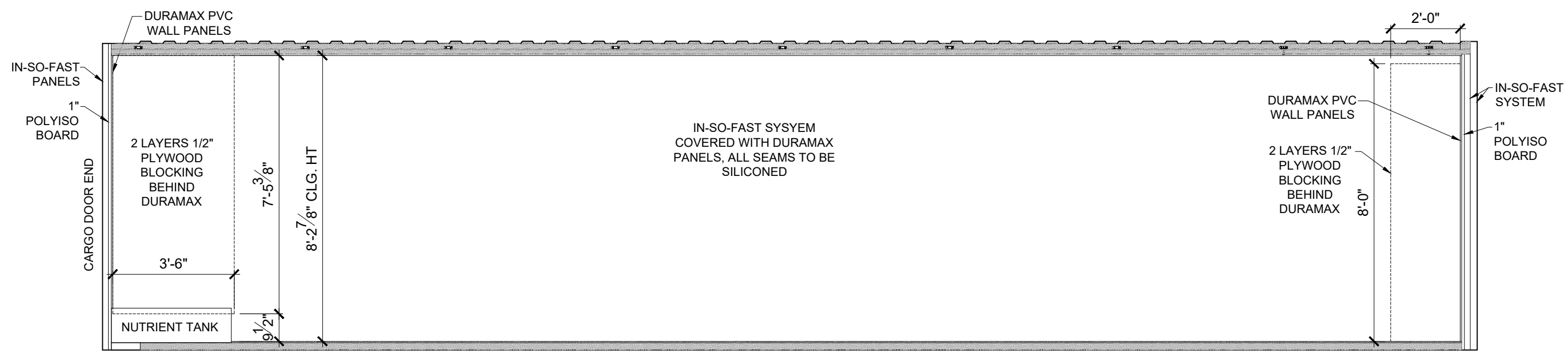
AC-462	X
TYPE II	
ONE-TRIP	
10	20
40	20HC
40HC	X

**Confidential**  
The design and drawings contained herein are confidential and the sole property of Falcon Structures and may not be copied or used for any purpose without written permission from Falcon Structures.

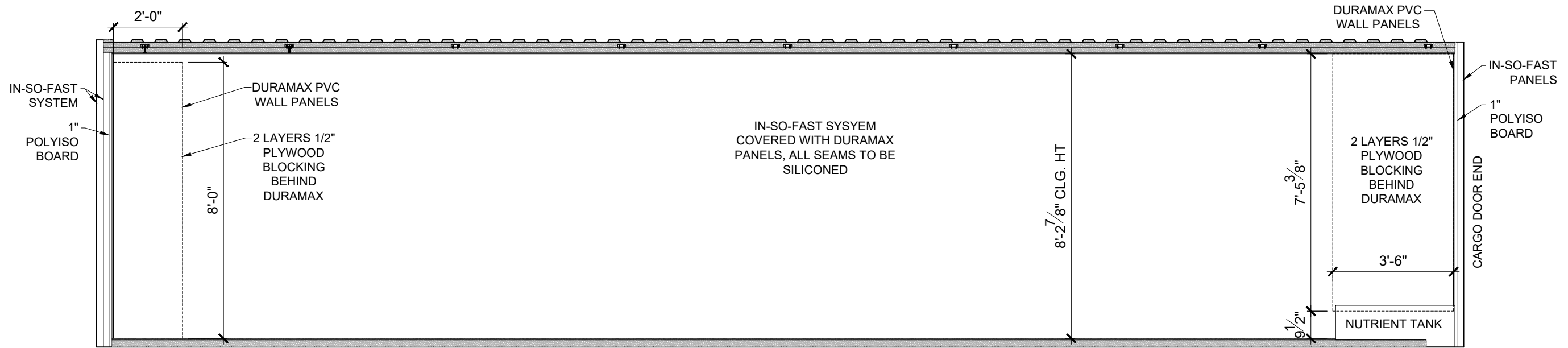
JOB NO.:	DATE: 05/17/22	DRAWN BY: DK	CHECKED BY:	REVISED BY:
----------	----------------	--------------	-------------	-------------

**CARPENTRY:**  
**A2**

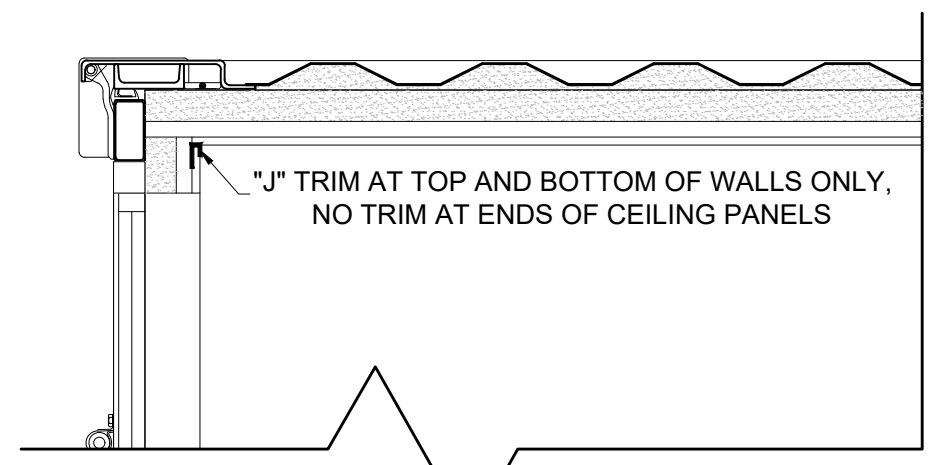
AC-462	X
TYPE II	
ONE-TRIP	
10	20
40	20HC
40HC	X



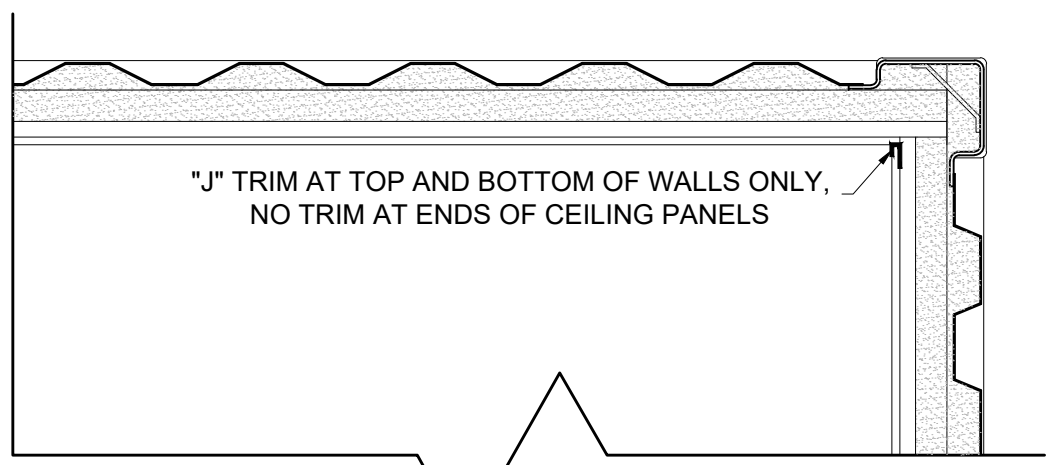
**ELEVATION "A"**  
SCALE: N.T.S.



**ELEVATION "B"**  
SCALE: N.T.S.



**CARGO DOOR TRIM DETAIL**  
SCALE: N.T.S.



**END WALL TRIM DETAIL**  
SCALE: N.T.S.

**Confidential**  
The design and drawings contained herein are confidential and the sole property of Falcon Structures and may not be copied or used for any purpose without written permission from Falcon Structures.

JOB NO.:	DATE: 05/17/22	DRAWN BY: DK	CHECKED BY:	REVISED BY:
----------	----------------	--------------	-------------	-------------

**CARPENTRY:**  
**A2.1**



AC-462	X
TYPE II	
ONE-TRIP	
10	20
40	20HC
40HC	X

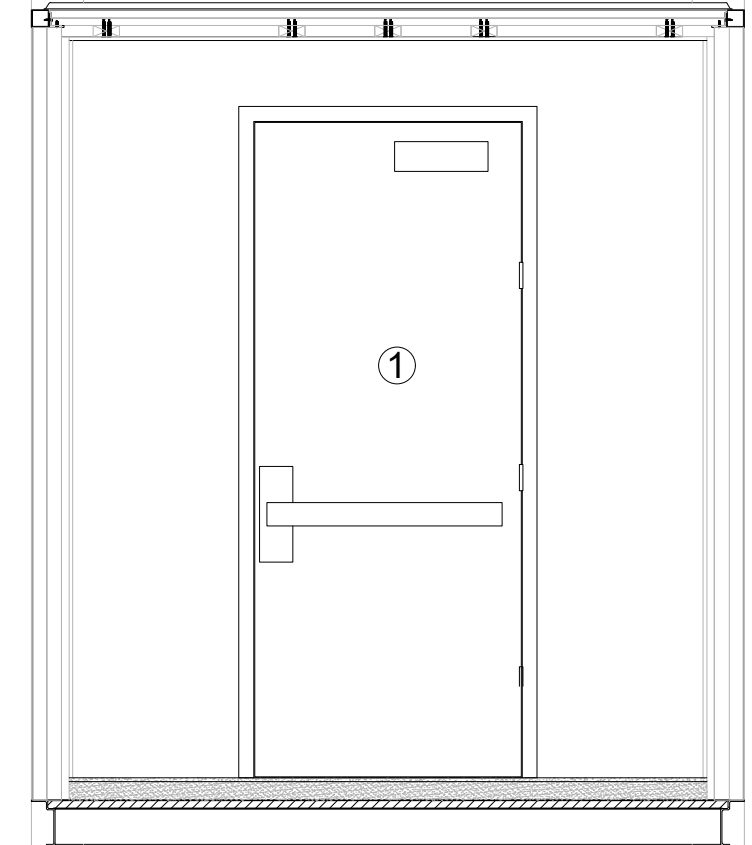
**AC462 SQUARE ROOTS  
GROW BOX - V4.0 LHR**

**Confidential**  
The design and drawings contained herein are confidential and the sole property of Falcon Structures and may not be copied or used for any purpose without written permission from Falcon Structures.

JOB NO.:	DATE: 05/17/22	DRAWN BY: DK	CHECKED BY:	REVISED BY:
----------	----------------	--------------	-------------	-------------

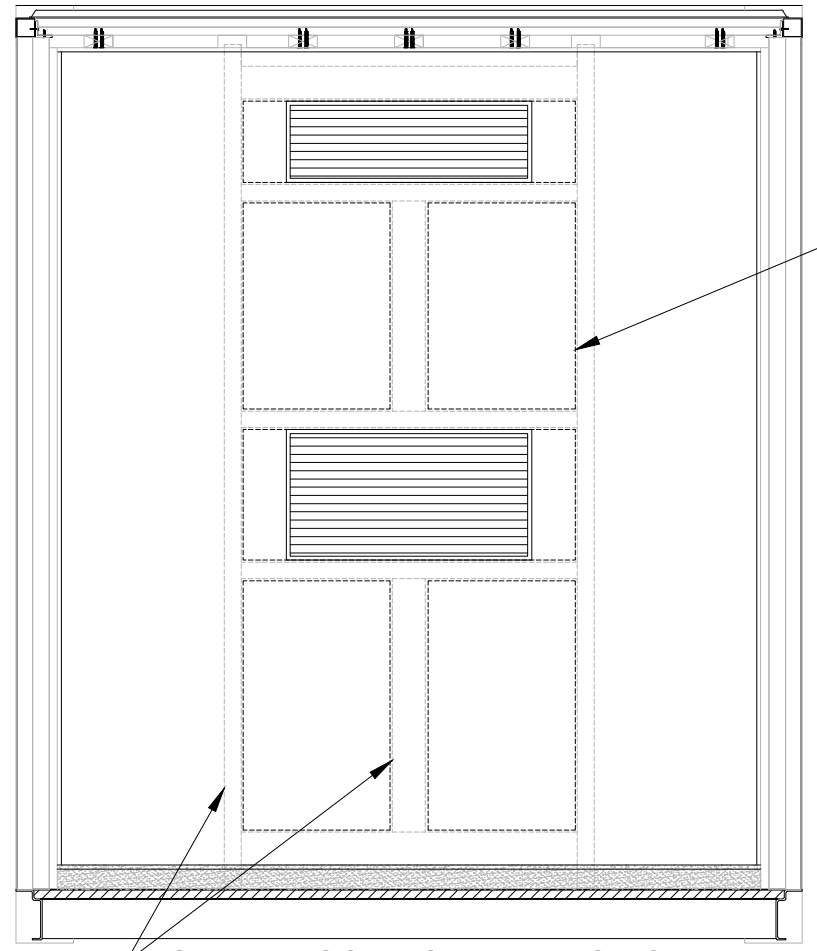
**CARPENTRY:**  
**A2.2**

**IN-SO-FAST SYSSYEM COVERED WITH DURAMAX  
PANELS, ALL SEAMS TO BE SILICONED**



INTERIOR D  
SCALE: N.T.S.

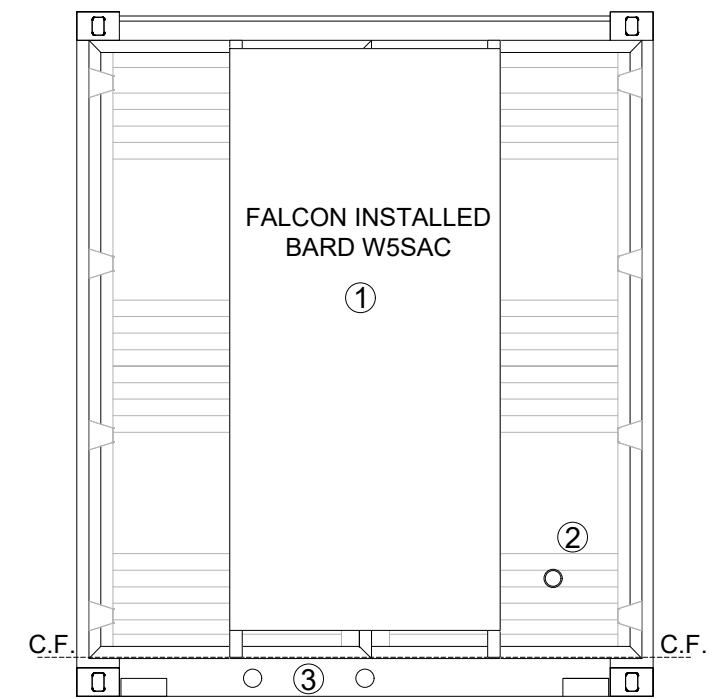
- KEYED NOTES**  
① COMMERCIAL DOOR PER SCHEDULE



PLYWOOD BLOCKING  
BEHIND IN-SO-FAST

GLUE IN-SO-FAST PANELS TO  
TUBE STEEL BARD FRAME  
AND BLOCKING

INTERIOR C  
SCALE: N.T.S.



**CARGO DOOR ELEVATION**  
SCALE: N.T.S.

- KEYED NOTES**  
① 5T BARD UNIT  
② 2" DRAIN LINE  
③ 3" DRAIN LINE